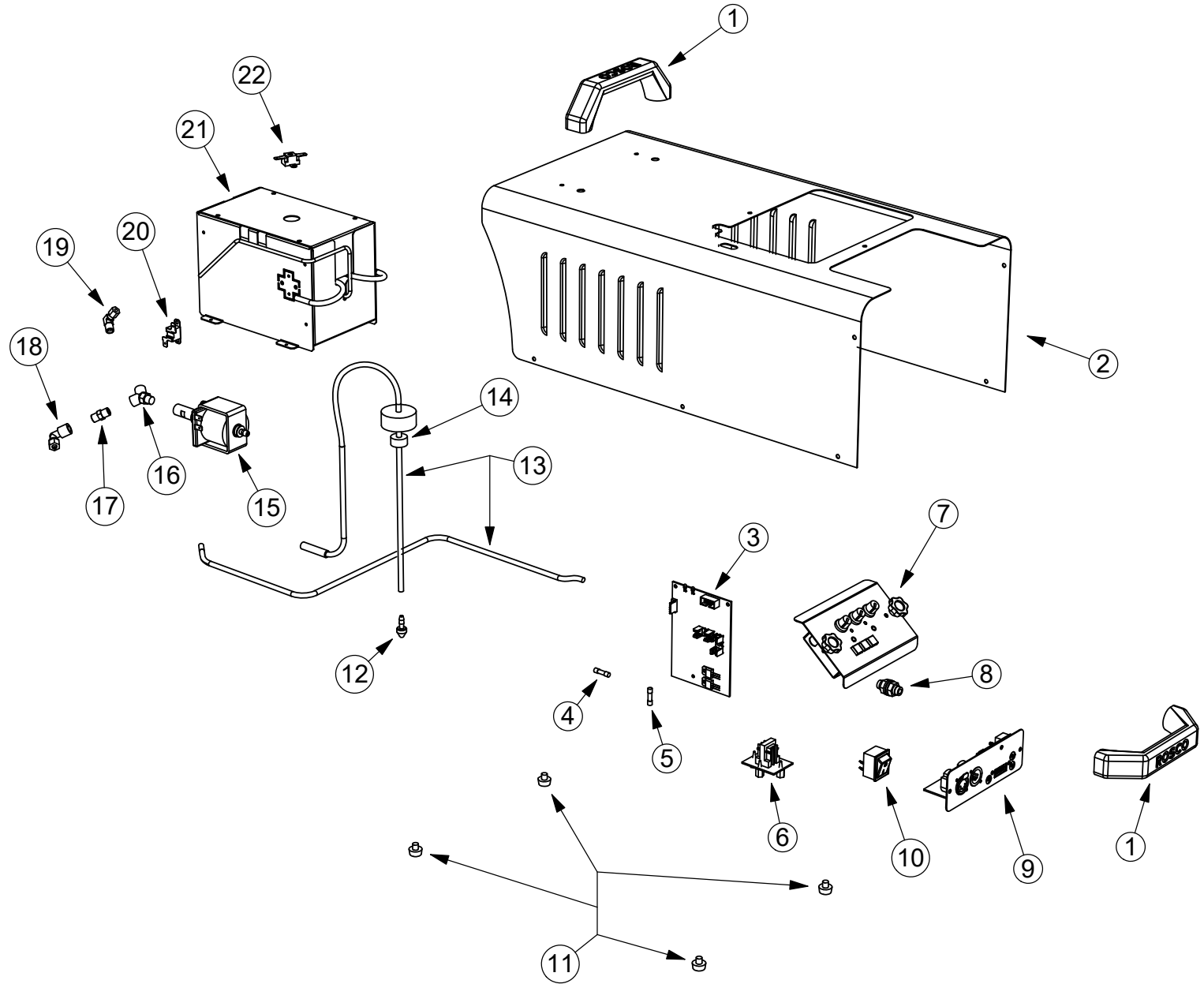


# ROSCO Vapour

**Spare Parts-B**  
March 2024



No.	Item No.	Description
1	23782220A003	Handle, Rosco Vapour
2	23782220J001	Cover, Rosco Vapour
3	23782220I240	PCB, Rosco Vapour, 230V, tested (Includes No's 4/5)
	23782220I110	PCB, Rosco Vapour, 120V, tested (Includes No's 4/5)
4	23782220I003	Fuse 6.3 AT 5 x 20 mm (230 V only)
	23782220I002	Fuse 10A 20mm 125v, UL approved (120 V only)
5	23782220I011	Fuse 3.15 AT, I*t=226.5
6	23782220I012	PCBA Filter (230v only)
7	23782220I006	Remote, Rosco Vapour Series
8	224199020102	B/head adaptor, plastic, 6mm-6mm push-in
9	23782220I007	DMX interface, Rosco Vapour Series
10	23782220I001	Mains switch 2 pole Rev A
11	23782220A002	Rubber foot
12	23782220F008	Clunk weight
13	23782220F014	Fluid line assy, 5L, Rosco Vapour (Includes No's 12/14)
	23782220F002	Fluid line assy, 4L, Rosco Vapour (Includes No's 12/14)
14	23782220F007	Filter, inline 1/8-1/8 barb
15	23782220F240	Piston Pump 240V / 50Hz
	23782220F120	Piston pump 120v/60hz
16	23782220F012	1/8 BSP Y piece F/F/M
17	23782220F010	Valve non return, 1/8-1/8BSP, male
18	23782220F011	Elbow 1/8BSP, female-6mm fast-on
19	23711700HW01	Elbow male 4mm-1/8 bsp
20	23782220I015	Thermal fuse DM150H horizontal
21	23782220H240	Heat Ex Assy + fit, 230V Rosco Vapour (Includes No's 19/20/22)
	23782220H110	Heat Ex Assy + fit, 120V Rosco Vapour (Includes No's 19/20/22)
22	23782220I004	Thermostat 350DEG C manual reset