

Rosco Wall Mount Accessory



Attach your Rosco LED projector to any interior or exterior vertical surface. The Wall Mount accessory has a special corrosion resistant E-Coating applied under the powder paint and inside the tube, making it the ideal mounting solution for harsh outdoor environments. The pan/tilt head extends 8" from the mounting pole and has adjustable 180-degree vertical tilt and 360-degree pan.

KEY FEATURES

- 1-1/2" (37mm) diameter tubing provides room for power cord to maintain a clean look.
- Superior rust resistant E-Coat inside tube and underneath the hard powder-coat paint
- Rust proof stainless steel hardware
- Requires (4) Stainless steel bolts for easy installation in a variety of locations
- Compatible with all X-Effects LED and Image Spot Projectors

SPECIFICATIONS

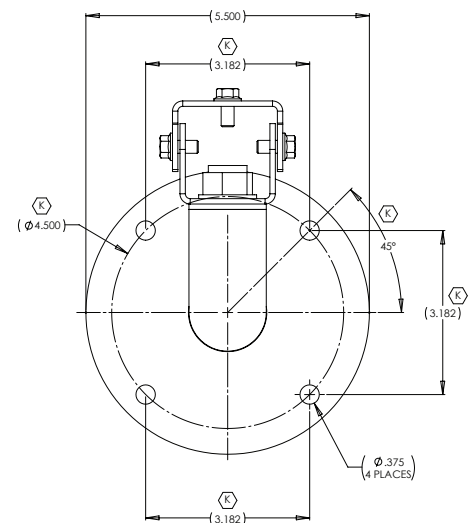
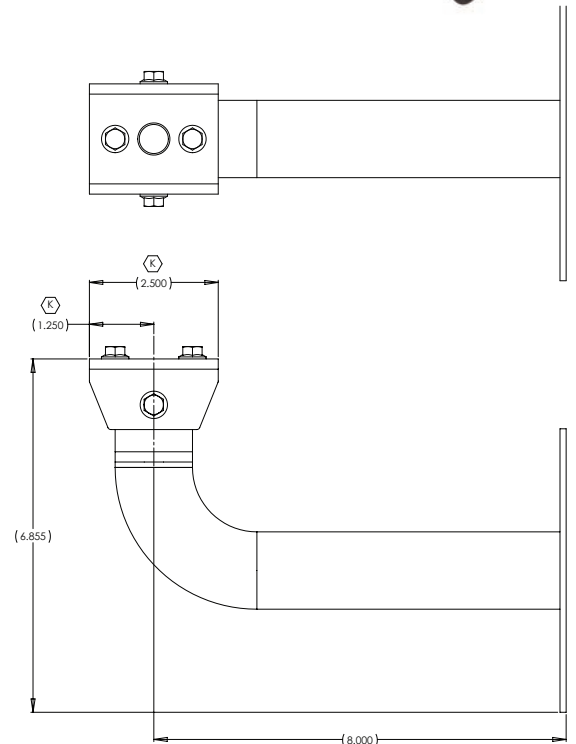
Application: Outdoor harsh environment or indoor Rosco Projector installations

Dimensions: 8.5" (216mm) overall length
8" (203mm) from wall to mount head
1.5" (37mm) diameter round tubing

Hole Diameter: .375" (9.5mm)

Material: Powder coated steel with E-Coat inside tube and under powder coating

Maximum Recommended Load: 80 lbs. (36.3kg)



Rosco Wall Mount Accessory

Item Code	Description
296000005004	Rosco Wall Mount Accessory, Black
296000005005	Rosco Wall Mount Accessory, White